

Voltage	Prime*	
	kVA	kW
380-415	229	183,2

Standby*		Ampere
kVA	kW	
251	200,8	319

**Prime Rating** Applicable for supplying continuous electrical power at variable load for unlimited hours. This model can supply 10% overload power for a period of 1 hour in 12 hours operation as it is defined in ISO 3046.

**Standby Rating** Applicable for supplying continuous power at variable load in the event of a utility power failure and overload is not allowed as it is defined in ISO 8528-3.

### Standard Generator Features

- ◊ AMF, Automatic mains failure unit
- ◊ Heavy duty type, 6 cylinder, water cooled engine
- ◊ 50°C tropical type radiator
- ◊ Starter motor
- ◊ Lead acid battery
- ◊ Charging alternator
- ◊ Battery charge redressor
- ◊ Heavy duty, brushless type alternator
- ◊ Base frame with anti-vibration units
- ◊ Industrial type silencers
- ◊ Flexible exhaust compensator
- ◊ Block water heater unit
- ◊ Control panel with digital-automatic main control module
- ◊ Fan, fan drive, charging alternator drive and all rotating parts covered
- ◊ Radiator matrix covered by metal mesh against the mechanical damages
- ◊ Fabricated and welded steel base frame
- ◊ Anti-vibration mountings
- ◊ Engine and alternator manufacturer test reports
- ◊ Factory load, performance and function tests

### Optional Features

- ◊ Automatic load transfer panel
- ◊ Automatic synchronization and power sharing systems
- ◊ Soundproof canopy
- ◊ Container type enclosures
- ◊ Road trailer
- ◊ Job-site trailer
- ◊ Protection circuit breaker
- ◊ Air start
- ◊ Remote type radiator
- ◊ Base fuel tank
- ◊ External type fuel tank
- ◊ Automatic fuel transfer system
- ◊ Residential silencer

### Dimensions & Weight

Open Type	Dry Weight kg	Length mm	Width mm	Height mm	Tank Capacity L
KZS230PS	2200	2750	1000	1800	400
Sound Attenuated	Dry Weight kg	Length mm	Width mm	Height mm	Tank Capacity L
KZS230PS	2950	4000	1200	2200	720

## K.U.N.Z. Handels-&Produktions GmbH

#### Headquarter

Oskar-von-Miller-Strasse 29  
68309 Mannheim, Deutschland  
Tel. : +49 621 - 76 217 733  
Faks: +49 621 - 76 217 734

#### U.K. Branch

1 Canada Square Canary Wharf, Floor 37  
London, United Kingdom  
Tel. : +44 (0) 20 7718 0185  
Faks: +44 (0) 20 7718 0001

#### Turkey Branch

Mansuroglu Mh. 295/2 Sk. Ege Sun Plaza  
A Blok No:1 K:6 D:652 Bayraklı, 35535  
İzmir  
Telefax. : +90 232 461 66 91

Truly Global, Fully Reliable

**Engine Technical Data**

Manufacturer	PERKINS
Model	1306C-E87TAG4
Type	4 cycle, water-cooled
Number of cylinders	6
Cylinder arrangement	Vertical in-line
Displacement, Liters	8,7
Bore X Stroke, mm	116,6 X 135,9
Compression Ratio	16.9:1
Combustion System	Direct injection
Aspiration	Turbocharged, air to air charge cooled
Rotation	Anti-clockwise, viewed on flywheel
Gross engine power, kWb	224
Fan Power, kWm	7
BMEP gross, bar	20.55
Combustion air flow, m <sup>3</sup> / min	14,9
Exhaust gas temp.(after turbo), °C	526
Exhaust gas flow (after turbo),m <sup>3</sup> / n	40,3
Mean piston speed, m / s	6,8

**Fuel System**

Type of injection system	Direct injection
Fuel atomiser	Heui
Fuel Feed Pump	Bosh
Hydraulic Pump	Rexroth
Delivery/hour at 1500rev/min, Lt	180
Governor type	Electronic
◊ Electronic governing to ISO3046-4 with stand alone isochronous or load sharing capabilities	
◊ Hydraulically actuated electronically controlled unit fuel injectors with full authority electronic control	
◊ Spin on fuel filter with pre-filter and hand primer pump	

**Electrical System**

Alternator	24 Volt Lucas AC5R, 45 Amp
Starter motor (DC)	24 Volt LucasS115
Starter motor power	3 kW
◊ Electronic Control Module mounted on engine with wiring looms and sensors	
◊ Three level engine protection system	

**Cooling System**

Type	Tropical, heavy duty type
Ambient temperature, °C	50
Engine&Radiator coolant capacity	37,2
Pressure cap setting, kPa	68,9
◊ Thermostatically-controlled system with belt driven circulating pump and pusher fan	
Radiator mounted with all guards and pipes	
◊ Air to air charge cooler incorporated in radiator	
◊ Coolant filter and conditioner	

**Lubrication System**

Type	Pressurized
Capacity, Liters	28,3
Lub oil pressure (min), kPa	552
◊ Wet rear well steel sump with filler and dipstick	
◊ Full-flow spin-on filter	
◊ Tube type oil cooler thermostatically controlled	

**Fuel Consumption**

liters per hour	% 110 Load	53 L
	% 100 Load	48,5 L
	% 75 Load	37,5 L
	% 50 Load	26,1 L
grams per kWh	% 110 Load	198,7 g/kWh
	% 100 Load	199,7 g/kWh
	% 75 Load	205,9 g/kWh
	% 50 Load	214,9 g/kWh

Model	Standby kW		Prime kW	
	Gross	Net	Gross	Net
<b>1306C-E87TAG4</b>	<b>224</b>	<b>217</b>	<b>205</b>	<b>198</b>

## K.U.N.Z. Handels-&Produktions GmbH

**Headquarter**

Oskar-von-Miller-Strasse 29  
 68309 Mannheim, Deutschland  
 Tel. : +49 621 - 76 217 733  
 Faks: +49 621 - 76 217 734

**U.K. Branch**

1 Canada Square Canary Wharf, Floor 37  
 London, United Kingdom  
 Tel. : +44 (0) 20 7718 0185  
 Faks: +44 (0) 20 7718 0001

**Turkey Branch**

Mansuroglu Mh. 295/2 Sk. Ege Sun Plaza  
 A Blok No:1 K:6 D:652 Bayraklı, 35535  
 İzmir  
 Telefax. : +90 232 461 66 91

Truly Global, Fully Reliable

**Alternator Technical Data**

Manufacturer	STAMFORD
Model	UCDI274J
Type	4-Poles, Rotating Field, Brushless
Standby power at rated voltage, kVA	260
Efficiency, %	92,2
Power factor	0.8
Phase	3
Frequency, Hz	50
Speed, Rpm	1500
Voltage, V	380/415
Excitation	Self excited
Stator windings	2/3 Pitch factor
Regulation	AVR, Auto Voltage Regulator
Voltage Regulator	SX460
Voltage Regulation, %	± 1
R.F.I Suppression	BS EN 61000-6-2, BS EN 61000-6-4 VDE0875G, VDE 0875N
Waveform distortion	No Load <1.5% Non distorting balanced
Rotor	Dynamic balanced
Overspeed, Rpm	2250
Short circuit current	< 300%
TIF	Less than 50
Insultion class	H
Construction	Single bearing, direct coupled
Coupling	Flexible
Stator winding	Double layer concentric
Connection	WYE
Protection class	IP23
Cooling air volume, m <sup>3</sup> / sec	0.58

**Winding & Electrical Performance**

All generator stators are wound to 2/3 pitch. This eliminates triplen harmonics on the voltage waveform and is found to be the optimum design for trouble-free supply of non-linear loads. The 2/3 pitch design avoids excessive neutral currents sometimes seen with higher winding pitches, when in parallel with the mains. A fully connected damper winding reduces oscillations during paralleling. This winding, with the 2/3 pitch and carefully selected pole and tooth designs, ensures very low waveform distortion.

**Quality Assurance**

Generators are manufactured using production procedures having a quality assurance level to BS EN ISO 9001.

**Optional Equipment**

- ◊ Optional Permanent Magnet Generator (PMG) provides an isolated power supply to the excitation control system
- ◊ Anti Condensation Heaters
- ◊ Air Filters
- ◊ Power Factor Controller
- ◊ Diode Failure Unit
- ◊ Excitation Loss Module
- ◊ Manuel Voltage Regulator
- ◊ SX421 AVR with 3 Phase Sensing and improved Regulation 0.5%
- ◊ MX341 (PMG) 1% Regulation with 2 Phase Sensing
- ◊ MX321 (PMG) with 3 Phase Sensing and improved Regulation 0.5%

**Terminals & Terminal Box**

Standard generators feature a main stator with 6 ends brought out to the terminals, which are mounted on the frame at the non-drive end of the generator. A sheet steel terminal box contains the AVR and provides ample space for the customers wiring and gland arrangements. It has removable panels for easy access.

**Shaft & Keys**

All generator rotors are dynamically balanced to better than BS6861 Part 1 Grade 2.5 for minimum vibration in operation. Two bearing generators are balanced with a half key.

**Insulation / Impregnation**

The insulation system is class 'H'  
 All wound components are impregnated with materials and processes designed specifically to provide the high build required for static windings and the high mechanical strength required for rotating components.

**Standards**

Newage Stamford industrial generators meet the requirements of BS EN 60034 and the relevant section of other international standards such as BS5000, VDE0530, NEMA MG1-32, IEC34, CSA C22.2-100, AS1359. Other standards and certifications can be considered on request.

Model	Standby		Prime	
	kVA	kW	kVA	kW
<b>UCDI274J</b>	<b>260</b>	<b>208</b>	<b>230</b>	<b>184</b>

**K.U.N.Z. Handels- & Produktions GmbH**
**Headquarter**

Oskar-von-Miller-Strasse 29  
 68309 Mannheim, Deutschland  
 Tel. : +49 621 - 76 217 733  
 Faks: +49 621 - 76 217 734

**U.K. Branch**

1 Canada Square Canary Wharf, Floor 37  
 London, United Kingdom  
 Tel. : +44 (0) 20 7718 0185  
 Faks: +44 (0) 20 7718 0001

**Turkey Branch**

Mansuroglu Mh. 295/2 Sk. Ege Sun Plaza  
 A Blok No:1 K:6 D:652 Bayraklı, 35535  
 İzmir  
 Telefax. : +90 232 461 66 91

Truly Global, Fully Reliable

**Deepsea 7320 Control System**  
**Description**

- ◊ Deepsea 7320 is an Auto Mains(Utility) Failure Control module.
- ◊ The module is used to monitor a mains supply and automatically start a standby generator set.
- ◊ The module can also monitor an extensive number of engine parameters and it can display warnings, shutdown and engine status information on the back-lit LCD screen, illuminated LEDs, remote PC and via SMS text alerts.
- ◊ Selected timers and alarms can be altered by the user from the front panel.
- ◊ Alterations to the system are made using the 810 interface and a PC and it also provides real time diagnostic facilities

**Specification**

**DC SUPPLY**

Continuous Voltage Rating:	8 V to 35 V
Maximum Operating Current:	340 mA at 12 V, 160 mA at 24 V
Maximum Standby Current:	160 mA at 12 V, 80 mA at 24 V
Charge Fail/Excitation Range:	0 V to 35 V

**MAINS(UTILITY) & GENERATOR**

Voltage Range:	15 V - 333 V AC (L-N)
Frequency Range:	3,5 Hz to 75 Hz

**OUTPUTS**

Output A (Fuel):	15 A DC at supply voltage
Output B (Start):	15 A DC at supply voltage
Output C & D :	8 A 250 V (Volt free)

**Input Functions display on LCD**

Generator Volts	Volts L1-N, L2-N, L3-N
Generator Volts	Volts L1-L2, L2-L3, L3-L1
Generator Amps	Amps L1, L2, L3
Generator Frequency	Hz
Mains Volts	Volts L1-N, L2-N, L3-N
Mains Volts	Volts L1-L2, L2-L3, L3-L1
Mains Frequency	Hz
Engine Speed	RPM
Plant Battery Volts	Volts
Engine Hours Run	Hour
Generator total power	kVA L1, L2, L3,total
Generator total power	kW L1, L2, L3,total
Generator power factor	Cosφ L1, L2, L3,total

**Features**

- 4-Line back-lit LCD text display and five key menu navigation
- LED and LCD alarm indication
- 9 configurable inputs and 8 configurable outputs
- Configurable timers, alarms and event log (250)
- Fuel usage monitor and low fuel alarms
- Charge alternator failure alarm
- Manual speed and manual fuel pump control
- Engine exerciser and "Protections disabled" feature
- kW overload protection
- Power monitoring ( kW, h, kV Ar, kv A h, kV Ar h)
- Load switching (load shedding and dummy load outputs)
- Automatic load transfer and unbalanced load protection
- Independent Earth Fault trip
- Support for up to three remote display units and USB connectivity
- Configurable display languages
- Remote SCADA monitoring
- User selectable RS232 and RS485 communications
- SMS messaging ( external modem required)
- Additional display screens to help with modem diagnostics

**Alarm Channels**

- Under/over generator voltage
- Over-current
- Under/over generator frequency
- Under/over speed
- Charge fail
- Emergency stop
- Low oil pressure
- High engine temperature
- Fail to start
- Low/high DC battery voltage
- Reverse power
- Generator phase rotation error
- Generator short-circuit protection
- Loss of speed sensing signal
- Mains out of limits

**Optional Input Functions**

Engine Oil pressure	kPa
Fuel level	%
Engine Temperature	°C

**K.U.N.Z. Handels-&Produktions GmbH**

**Headquarter**  
 Oskar-von-Miller-Strasse 29  
 68309 Mannheim, Deutschland  
 Tel. : +49 621 - 76 217 733  
 Faks: +49 621 - 76 217 734

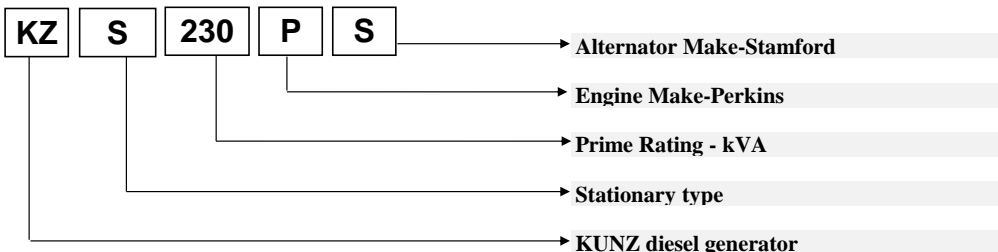
**U.K. Branch**  
 1 Canada Square Canary Wharf, Floor 37  
 London, United Kingdom  
 Tel. : +44 (0) 20 7718 0185  
 Faks: +44 (0) 20 7718 0001

**Turkey Branch**  
 Mansuroglu Mh. 295/2 Sk. Ege Sun Plaza  
 A Blok No:1 K:6 D:652 Bayraklı, 35535  
 İzmir  
 Telefax. : +90 232 461 66 91

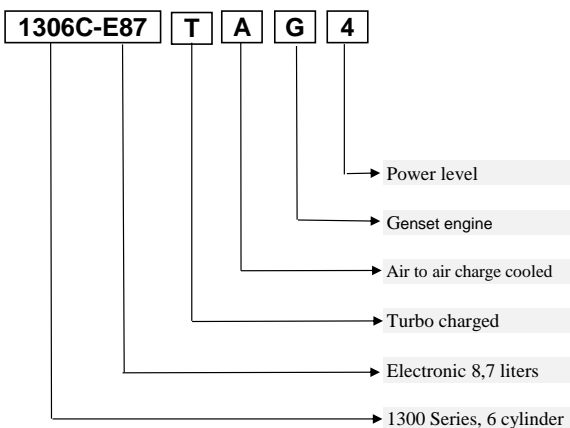
Truly Global, Fully Reliable

### Model Codes and General Information

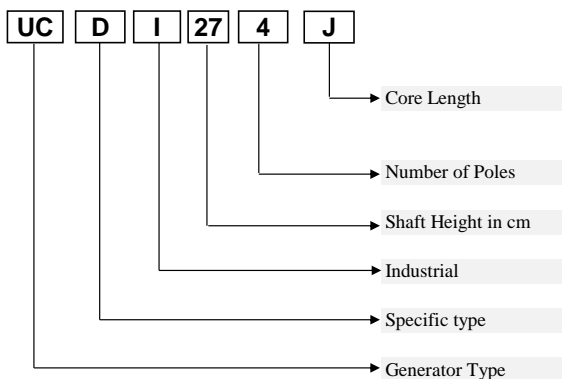
Kunz Diesel Generator



### Perkins 1300 Series Diesel Engine



### Newage / Stamford Alternator



## K.U.N.Z. Handels-&Produktions GmbH

**Headquarter**  
 Oskar-von-Miller-Strasse 29  
 68309 Mannheim, Deutschland  
 Tel. : +49 621 - 76 217 733  
 Faks: +49 621 - 76 217 734

**U.K. Branch**  
 1 Canada Square Canary Wharf, Floor 37  
 London, United Kingdom  
 Tel. : +44 (0) 20 7718 0185  
 Faks: +44 (0) 20 7718 0001

**Turkey Branch**  
 Mansuroglu Mh. 295/2 Sk. Ege Sun Plaza  
 A Blok No:1 K:6 D:652 Bayraklı, 35535  
 İzmir  
 Telefax. : +90 232 461 66 91

Truly Global, Fully Reliable