

Voltage	Prime*	
	kVA	kW
380-415	1364	1091

Standby*		Ampere
kVA	kW	
1500	1200	1900

**Prime Rating** Applicable for supplying continuous electrical power at variable load for unlimited hours. This model can supply 10% overload power for a period of 1 hour in 12 hours operation as it is defined in ISO 3046.

**Standby Rating** Applicable for supplying continuous power at variable load in the event of a utility power failure and overload is not allowed as it is defined in ISO 8528-3.

### Standard Generator Features

- ◊ AMF, Automatic mains failure unit
- ◊ Heavy duty type, 12 cylinder, water cooled engine
- ◊ 50°C tropical type radiator
- ◊ Starter motor
- ◊ Lead acid battery
- ◊ Charging alternator
- ◊ Battery charge redressor
- ◊ Heavy duty, brushless type alternator
- ◊ Base frame with anti-vibration units
- ◊ Industrial type silencers
- ◊ Flexible exhaust compensator
- ◊ Block water heater unit
- ◊ Control panel with digital-automatic main control module
- ◊ Fan, fan drive, charging alternator drive and all rotating parts covered
- ◊ Radiator matrix covered by metal mesh against the mechanical damages
- ◊ Fabricated and welded steel base frame
- ◊ Anti-vibration mountings
- ◊ Engine and alternator manufacturer test reports
- ◊ Factory load, performance and function tests

### Optional Features

- ◊ Automatic load transfer panel
- ◊ Automatic synchronization and power sharing systems
- ◊ Soundproof canopy
- ◊ Container type enclosures
- ◊ Road trailer
- ◊ Job-site trailer
- ◊ Protection circuit breaker
- ◊ Air start
- ◊ Remote type radiator
- ◊ Base fuel tank
- ◊ External type fuel tank
- ◊ Automatic fuel transfer system
- ◊ Residential silencer

### Dimensions & Weight

Open Type	Dry Weight kg	Length mm	Width mm	Height mm	Tank Capacity L
KZS1350PS	9200	5100	2300	2500	External
Sound Attenuated	Dry Weight kg	Length mm	Width mm	Height mm	Tank Capacity L
KZS1350PS	12200	6700	2590	3700	External

## K.U.N.Z. Handels-&Produktions GmbH

### Headquarter

Oskar-von-Miller-Strasse 29  
68309 Mannheim, Deutschland  
Tel. : +49 621 - 76 217 733  
Faks: +49 621 - 76 217 734

### U.K. Branch

1 Canada Square Canary Wharf, Floor 37  
London, United Kingdom  
Tel. : +44 (0) 20 7718 0185  
Faks: +44 (0) 20 7718 0001

### Turkey Branch

Mansuroglu Mh. 295/2 Sk. Ege Sun Plaza  
A Blok No:1 K:6 D:652 Bayraklı, 35535  
İzmir  
Telefax. : +90 232 461 66 91

Truly Global, Fully Reliable

**Engine Technical Data**

Manufacturer	PERKINS
Model	4012-46TWG3A
Type	4 cycle, water-cooled
Number of cylinders	12
Cylinder arrangement	60° Vee
Displacement, Liters	45,842
Bore X Stroke, mm	160 X 190
Compression Ratio	13,6:1
Combustion System	Direct injection
Aspiration	Turbocharge, water to air cooled
Rotation	Anticlockwise viewed on flywheel
Gross engine power, kWb	1321
Fan Power, kWm	58
BMEP gross, bar	22,93
Combustion air flow, m <sup>3</sup> / min	114
Exhaust gas temp.(after turbo), °C	474
Exhaust gas flow (after turbo),m <sup>3</sup> / n 182	
Mean piston speed, m / s	9,5

**Fuel System**

Type of injection system	Direct injection
Fuel injection pump	Combined unit injector
Fuel injector pressure, Mpa	23,4
Delivery/hour at 1500rev/min, Lt	1020
Fuel lift pump type	Gerotor
Governing to	ISO 8528-5 class G3 with isochronous capability
◊ Direct fuel injection system with fuel lift pump	
◊ Full-flow spin-on fuel oil filters	

**Electrical System**

Alternator	24 Volt with integral regulator
Starter motor (DC)	24 Volt
Starter motor power	16,4 kW
◊ Turbine inlet temperature shutdown switch	
◊ Overspeed switch and magnetic pick up	
◊ Twin high coolant temperate shutdown switches	
◊ Twin low oil pressure shutdown switches	

**Cooling System**

Type	Tropical, heavy duty type
Ambient temperature, °C	50
Engine coolant capacity, Liters	73
Engine&Radiator coolant capacity	201
Jacket coolant flow Liters/sec	15,8
Cooling minimum airflow m <sup>3</sup> /min	948
◊ Two twin thermostats	
◊ Powder coated radiator comprising: water radiator; fuel oil cooling (opt); all pipes, hoses and clips; fan; pulleys; fan belts, safety guards	

**Lubrication System**

Type	Pressurized
Lub oil capacity sump min, Liters	177
Lub oil pressure, MPa	0,34
◊ Wet sump with filler and disptick	
◊ Engine jacket water / lub oil temperature stabilizer	
◊ Full-flow spin-on oil filters	

**Fuel Consumption**

liters per hour	% 110 Load	318 L
	% 100 Load	283 L
	% 75 Load	213 L
	% 50 Load	151 L
grams per kWh	% 110 Load	217 g/kWh
	% 100 Load	212 g/kWh
	% 75 Load	213 g/kWh
	% 50 Load	226 g/kWh

Model	Standby kW		Prime kW	
	Gross	Net	Gross	Net
<b>4012-46TWG3A</b>	<b>1321</b>	<b>1263</b>	<b>1207</b>	<b>1149</b>

**K.U.N.Z. Handels-&Produktions GmbH**
**Headquarter**

 Oskar-von-Miller-Strasse 29  
 68309 Mannheim, Deutschland  
 Tel. : +49 621 - 76 217 733  
 Faks: +49 621 - 76 217 734

**U.K. Branch**

 1 Canada Square Canary Wharf, Floor 37  
 London, United Kingdom  
 Tel. : +44 (0) 20 7718 0185  
 Faks: +44 (0) 20 7718 0001

**Turkey Branch**

 Mansuroglu Mh. 295/2 Sk. Ege Sun Plaza  
 A Blok No:1 K:6 D:652 Bayraklı, 35535  
 İzmir  
 Telefax. : +90 232 461 66 91

Truly Global, Fully Reliable

**Alternator Technical Data**

Manufacturer	STAMFORD
Model	PI734B
Type	4-Poles, Rotating Field, Brushless
Standby power at rated voltage, kVA	1500
Efficiency, %	94,7
Power factor	0.8
Phase	3
Frequency, Hz	50
Speed, Rpm	1500
Voltage, V	380/415
Excitation	Self excited
Stator windings	2/3 Pitch factor
Regulation	AVR, Auto Voltage Regulator
Voltage Regulator	MX341
Voltage Regulation, %	± 1
R.F.I Suppression	BS EN 61000-6-2,BS EN 61000-6-4 VDE0875G, VDE 0875N
Waveform distortion	No Load <1.5% Non distorting balanced
Rotor	Dynamic balanced
Overspeed, Rpm	2250
Short circuit current	< 300%
TIF	Less than 50
Insultion class	H
Construction	Single bearing, direct coupled
Coupling	Flexible
Stator winding	Double layer concentric
Connection	WYE
Protection class	IP23
Cooling air volume,m <sup>3</sup> / sec	2,69

**Winding&Electrical Performance**

All generator stators are wound to 2/3 pitch.This eliminates triplen harmonics on the voltage waveform and is found to be the optimum design for trouble-free supply of non-linear loads.The 2/3 pitch design avoid sexcessive neutral currents sometimes seen with higher winding pitches, when in parallel with the mains.A fully connected damper winding reduces oscillations during paralelling. This winding, with the 2/3 pitch and carefully selected pole and tooth designs, ensures very low waveform distortion.

**Quality Assurance**

Generators are manufactured using production procedures having a quality assurance level to BS EN ISO 9001.

**Optional Equipment**

- ◊ Optional Permanent Magnet Generator (PMG) provides an isolated power supply to the excitation control system
- ◊ MX321 (PMG) with 3 Phase Sensing and improved Regulation 0.5%
- ◊ Quadrature Droop kit for Parallel Operation
- ◊ Winding Protection Thermistors
- ◊ Temperature Indicaiton RTD's
- ◊ Air filters
- ◊ Anti condensation heaters

**Terminals&Terminal Box**

Standard generators feature a main stator with 6 ends brought out to the terminals, which are mounted on the frame at the non-drive end of the generator. A sheet steel terminal box contains the AVR and provides ample space for the customers wiring and gland arrangements.It has removable panels for easy access.

**Shaft&Keys**

All generator rotors are dynamically balanced to better than BS6861 :Part 1 Grade 2.5 for minimum vibration in operation. Two bearing generators are balanced with a half key.

**Insulation / Impregnation**

The insulation system is class 'H'  
 All wound components are impregnated with materials and processes designed specifically to provide the high build required for static windings and the high mechanical strength required for rotating components.

**Standards**

Newage Stamford industrial generators meet the requirements of **BS EN 60034** and the relevent section of other international standards such as BS5000, VDE0530, NEMA MG1-32, IEC34, CSA C22.2-100, AS1359 Other standards and certifications can be considered on request

Model	Standby		Prime	
	kVA	kW	kVA	kW
<b>PI734B</b>	<b>1500</b>	<b>1200</b>	<b>1400</b>	<b>1120</b>

**K.U.N.Z. Handels-&Produktions GmbH**
**Headquarter**

Oskar-von-Miller-Strasse 29  
 68309 Mannheim, Deutschland  
 Tel. : +49 621 - 76 217 733  
 Faks: +49 621 - 76 217 734

**U.K. Branch**

1 Canada Square Canary Wharf, Floor 37  
 London, United Kingdom  
 Tel. : +44 (0) 20 7718 0185  
 Faks: +44 (0) 20 7718 0001

**Turkey Branch**

Mansuroglu Mh. 295/2 Sk. Ege Sun Plaza  
 A Blok No:1 K:6 D:652 Bayraklı, 35535  
 İzmir  
 Telefax. : +90 232 461 66 91

Truly Global, Fully Reliable

**Deepsea 7320 Control System**  
**Description**

- Deepsea 7320 is an Auto Mains(Utility) Failure Control module.
- The module is used to monitor a mains supply and automatically start a standby generator set.
- The module can also monitor an extensive number of engine parameters and it can display warnings, shutdown and engine status information on the back-lit LCD screen, illuminated LEDs, remote PC and via SMS text alerts.
- Selected timers and alarms can be altered by the user from the front panel.
- Alterations to the system are made using the 810 interface and a PC and it also provides real time diagnostic facilities

**Specification**

**DC SUPPLY**

Continuous Voltage Rating: 8 V to 35 V  
 Maximum Operating Current: 340 mA at 12 V, 160 mA at 24 V  
 Maximum Standby Current: 160 mA at 12 V, 80 mA at 24 V  
 Charge Fail/Excitation Range: 0 V to 35 V

**MAINS(UTILITY) & GENERATOR**

Voltage Range: 15 V - 333 V AC (L-N)  
 Frequency Range: 3,5 Hz to 75 Hz

**OUTPUTS**

Output A (Fuel): 15 A DC at supply voltage  
 Output B (Start): 15 A DC at supply voltage  
 Output C & D : 8 A 250 V (Volt free)

**Input Functions display on LCD**

Generator Volts	Volts	L1-N, L2-N, L3-N
Generator Volts	Volts	L1-L2, L2-L3, L3-L1
Generator Amps	Amps	L1, L2, L3
Generator Frequency	Hz	
Mains Volts	Volts	L1-N, L2-N, L3-N
Mains Volts	Volts	L1-L2, L2-L3, L3-L1
Mains Frequency	Hz	
Engine Speed	RPM	
Plant Battery Volts	Volts	
Engine Hours Run	Hour	
Generator total power	kVA	L1, L2, L3,total
Generator total power	kW	L1, L2, L3,total
Generator power factor	Cosφ	L1, L2, L3,total

**Features**

- 4-Line back-lit LCD text display and five key menu navigation
- LED and LCD alarm indication
- 9 configurable inputs and 8 configurable outputs
- Configurable timers, alarms and event log (250)
- Fuel usage monitor and low fuel alarms
- Charge alternator failure alarm
- Manual speed and manual fuel pump control
- Engine exerciser and "Protections disabled" feature
- kW overload protection
- Power monitoring ( kW, h, kV Ar, kv A h, kV Ar h)
- Load switching (load shedding and dummy load outputs)
- Automatic load transfer and unbalanced load protection
- Independent Earth Fault trip
- Support for up to three remote display units and USB connectivity
- Configurable display languages
- Remote SCADA monitoring
- User selectable RS232 and RS485 communications
- SMS messaging ( external modem required)
- Additional display screens to help with modem diagnostics

**Alarm Channels**

- Under/over generator voltage
- Over-current
- Under/over generator frequency
- Under/over speed
- Charge fail
- Emergency stop
- Low oil pressure
- High engine temperature
- Fail to start
- Low/high DC battery voltage
- Reverse power
- Generator phase rotation error
- Generator short-circuit protection
- Loss of speed sensing signal
- Mains out of limits

**Optional Input Functions**

Engine Oil pressure	kPa
Fuel level	%
Engine Temperature	°C

**K.U.N.Z. Handels-&Produktions GmbH**

**Headquarter**

Oskar-von-Miller-Strasse 29  
 68309 Mannheim, Deutschland  
 Tel. : +49 621 - 76 217 733  
 Faks: +49 621 - 76 217 734

**U.K. Branch**

1 Canada Square Canary Wharf, Floor 37  
 London, United Kingdom  
 Tel. : +44 (0) 20 7718 0185  
 Faks: +44 (0) 20 7718 0001

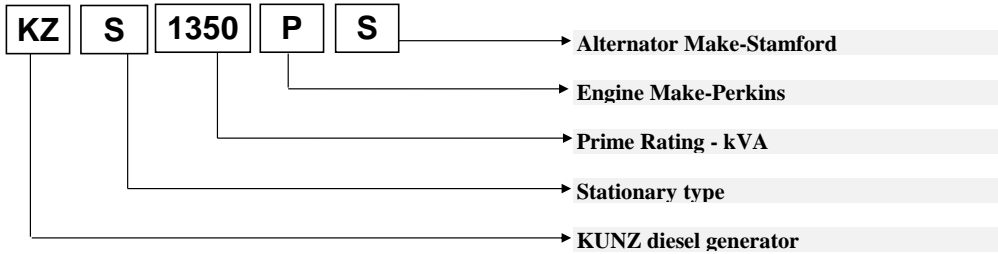
**Turkev Branch**

Mansuroglu Mh. 295/2 Sk. Ege Sun Plaza  
 A Blok No:1 K:6 D:652 Bayraklı, 35535  
 İzmir  
 Telefax. : +90 232 461 66 91

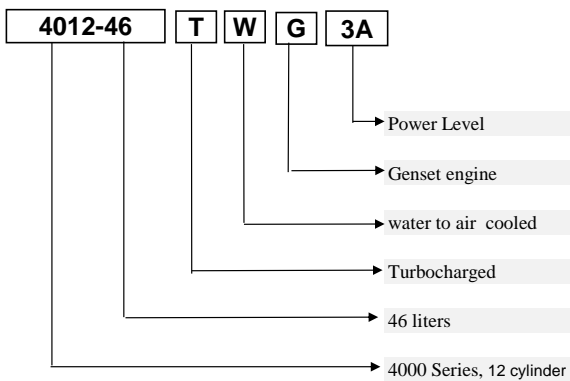
Truly Global, Fully Reliable

### Model Codes and General Information

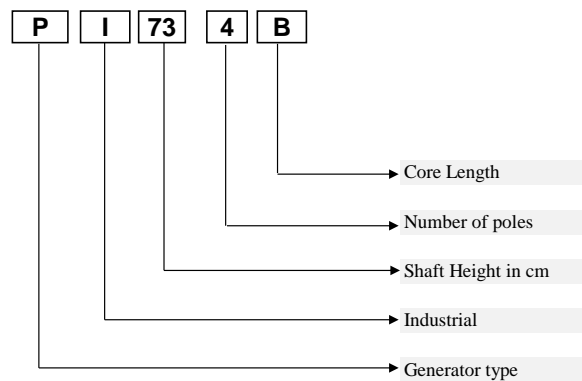
Kunz Diesel Generator



### Perkins 4000 Series Diesel Engine



### Newage / Stamford Alternator



## K.U.N.Z. Handels-&Produktions GmbH

#### Headquarter

Oskar-von-Miller-Strasse 29  
68309 Mannheim, Deutschland  
Tel. : +49 621 - 76 217 733  
Faks: +49 621 - 76 217 734

#### U.K. Branch

1 Canada Square Canary Wharf, Floor 37  
London, United Kingdom  
Tel. : +44 (0) 20 7718 0185  
Faks: +44 (0) 20 7718 0001

#### Turkey Branch

Mansuroglu Mh. 295/2 Sk. Ege Sun Plaza  
A Blok No:1 K:6 D:652 Bayraklı, 35535  
İzmir  
Telefax. : +90 232 461 66 91

Truly Global, Fully Reliable